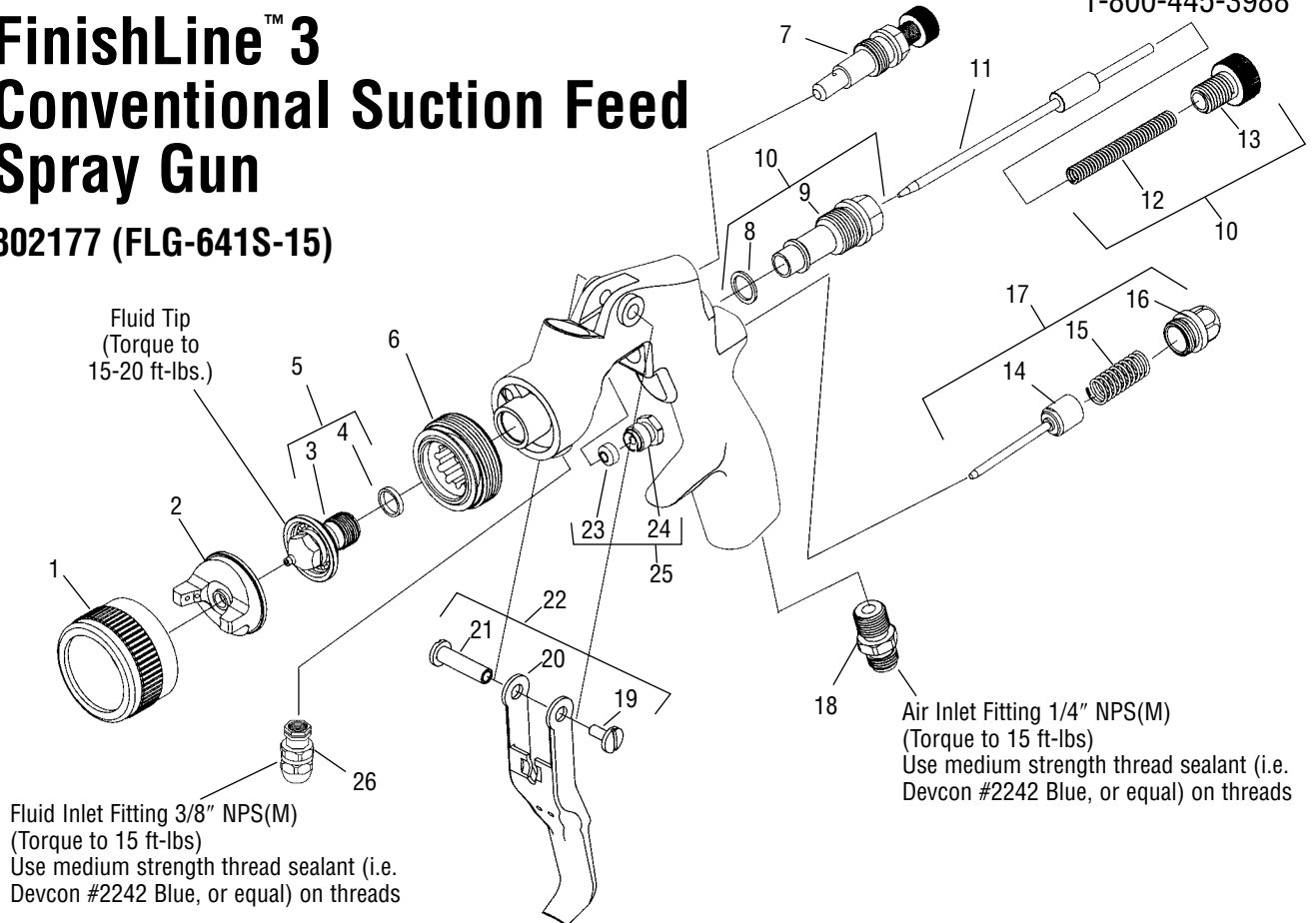


Refer to Service Bulletin: SB-2-630

Customer Service
1-800-445-3988

FinishLine™ 3 Conventional Suction Feed Spray Gun

802177 (FLG-641S-15)



Ref. No.	Order No.	Model No.	Description	Ind. Parts Required
1	690017	FLG-301	Retaining Ring	1
2	—	See Chart 1	Air Cap	1
3	—	—	Fluid Tip	1
*4	690020	FLG-304-K5	Fluid Tip Seal (Kit of 5)	1
5	—	See Chart 2	Fluid Tip & Seal Kit	1
6	690021	FLG-305	Baffle	1
7	690022	FLG-308	Spreader Adjustment Valve	1
*8	—	—	Seal	1
9	—	—	Bushing	1
10	690027	FLG-483	Seal, Bushing, Spring and Knob Kit	1
11	690023	FLG-311	Fluid Needle	1
*12	—	—	Needle Spring	1
13	—	—	Needle Adjusting Knob	1
*14	—	—	Air Valve	1
*15	—	—	Air Valve Spring	1
16	—	—	Air Valve Cap	1
17	690030	FLG-487	Air Valve Kit	1
18	690026	FLG-322	Air Inlet Fitting	1
*19	—	—	Trigger Screw	1
20	—	—	Trigger	1
*21	—	—	Trigger Stud	1
22	690029	FLG-485	Trigger, Stud and Screw Kit	1
*23	—	—	Needle Packing	1
24	—	—	Needle Packing Nut	1
25	690028	FLG-484	Needle Packing and Nut Kit (3 Packings and 1 Nut)	1
26	—	—	Fluid Inlet Fitting	1
27	—	—	Splash Shield	1
28	—	—	Lid Gasket	1
29	802178	FLG-489	Gasket and Splash Shield Kit	Cam

*A quantity of necessary parts is included in Repair Kit FLG-488 (Order NO. 690031) for complete gun repair and should be kept on hand for service convenience.

Chart 1 Air Cap

Air Cap Order No.	Air Cap Model No.	Application
690000	FLG-1-1	Conventional

Chart 2 Fluid Tip & Seal Kits

Fluid Tip & Seal Kit Order No.	Fluid Tip & Seal Kit Model No.	Tip Size in. mm
690032	FLG-302-13K*	.051 1.3
690018	FLG-302-15K*	.059 1.5
690033	FLG-302-18K*	.070 1.8
690019	FLG-302-22K*	.086 2.2

•NOTE: Repair Kit 690031 (FLG-488) Contains:

Ref. No.	Description	Qty.
4	Fluid Tip Seal	1
9	Seal	1
13	Needle Spring	1
15	Air Valve	1
16	Air Valve Spring	1
20	Trigger Screw	1
22	Trigger Stud	1
24	Needle Packing	1