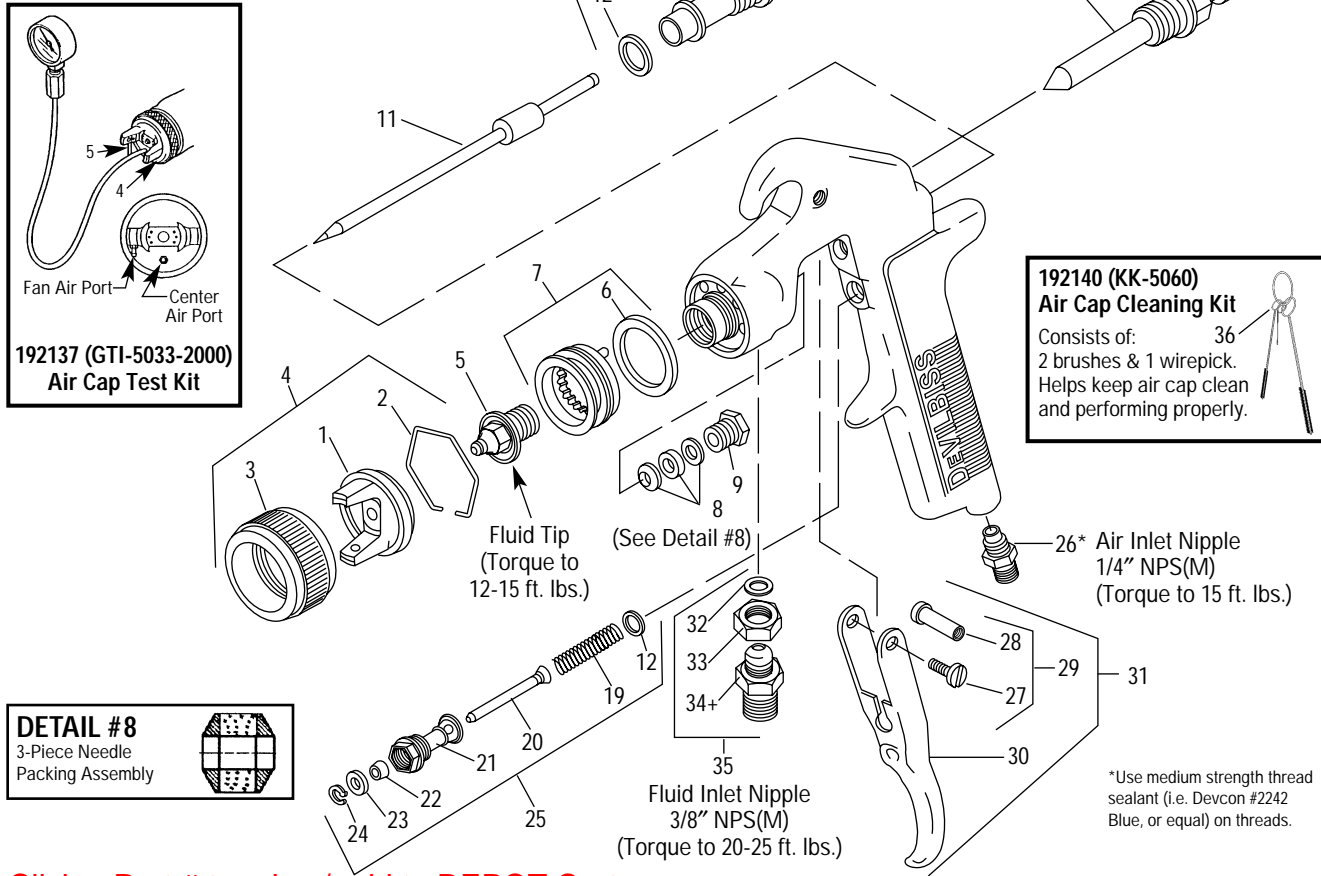


GTi Millennium HVLP Suction Feed



**192137 (GTI-5033-2000)
Air Cap Test Kit**

Fan Air Port
Center Air Port

**192140 (KK-5060)
Air Cap Cleaning Kit**

Consists of: 36
2 brushes & 1 wirepick.
Helps keep air cap clean
and performing properly.

DETAIL #8
3-Piece Needle
Packing Assembly

Click a Part # to price / add to DEPOT Cart.

Ref. No.	Order No.	Model No.	Description	Ind. Parts Required
1	—	—	Air Cap	1
2	191972	JGA-156-K10	Spring Clip (Kit of 10)	1
3	192042	GTI-3	Air Cap Retaining Ring	1
4	192136	GTI-407-2000	Air Cap and Retaining Ring	1
5	—	See Chart 1	Fluid Tip	1
6	192179	GTI-33-K5	Baffle Seal (Kit of 5)	1
7	192178	GTI-425	Baffle Assembly	1
*8	192109	JGA-4035-K5	Packing (Kit of 5)	1
8	190893	34411-122-K10	Packing Nut	1
10	192051	GTI-405	Spreader Valve	1
11	192054	GTI-413	Fluid Needle	1
*12	190161	JGS-72-K10	Gasket Kit (Teflon) (Kit of 10)	2
13	—	—	Body Bushing	1
*14	—	—	Fluid Needle Spring	1
*15	—	—	Spring Pad	1
16	190894	MBD-19-K10	Spring and Pad (Kit of 10)	1
17	192043	GTI-414	Needle Adjusting Screw	1
18	192139	KK-5059	Bushing, Spring, Pad and Knob Kit	1
*19	—	—	Air Valve Spring	1
*20	—	—	Air Valve	1
21	—	—	Air Valve Body	1
*22	—	—	U Cup Seal	1
*23	—	—	Washer	1
*24	—	—	Snap Ring	1
25	190780	JGS-449-1	Air Valve Assembly	1
+26	190287	P-MB-51	Air Inlet Nipple 1/4" NPS(M)	1
27	—	—	Trigger Stud Screw	1
28	—	—	Trigger Stud	1
29	190889	JGS-478	Stud and Screw Kit	1
30	—	—	Trigger	1
31	191943	JGS-477-1	Trigger Stud, Screw Kit	1
*32	—	—	Fluid Inlet Gasket (Teflon)	1
33	—	—	Locknut	1
+34	—	—	Fluid Inlet Adapter	1
35	190888	JGA-4042	Fluid Inlet, Gasket, Nut Kit	1
36	192140	KK-5060	Air Cap Cleaning Kit	1

Chart 1

Fluid Tip Order No.	Fluid Tip Model No.	Tip Size I.D. in.	mm
192124	GTI-213-12	.047	1.2
192134	GTI-213-13	.051	1.3
192044	GTI-213-14	.055	1.4
192135	GTI-213-15	.059	1.5
192045	GTI-213-16	.063	1.6
192046	GTI-213-18	.070	1.8
192047	GTI-213-20	.079	2.0
192132	GTI-213-22	.086	2.2

NOTE: See Section E-2 for TGC-545 Cup parts breakdown.

*NOTE: Gun Repair Kit 192138 (KK-5058) Contains:

Ref. No.	Description	Qty.
6	Baffle Seal	1
8	Packing	1
12	Gasket Kit	2
14	Fluid Needle Spring	1
15	Spring Pad	1
19	Air Valve Spring	1
20	Air Valve	1
22	U Cup Seal	1
23	Washer	1
24	Snap Ring	1
32	Fluid Cup Gasket	1

* 192138 (KK-5058) Gun Repair Kit includes a quantity of necessary parts.

+ Use medium strength thread sealant (i.e. Devcon #2242 Blue or equal) on threads.

Suffixes: -K5 designates kit of multiple parts. Example: JGA-4035-K5 is a kit of 5 packings.

DEVILBISS®

ITW Automotive Refinishing
An Illinois Tool Works Company
1724 Indian Wood Circle
Maumee, OH 43537-4048
Telephone 419-891-8100
Fax 419-891-8110
www.devilbiss.com

