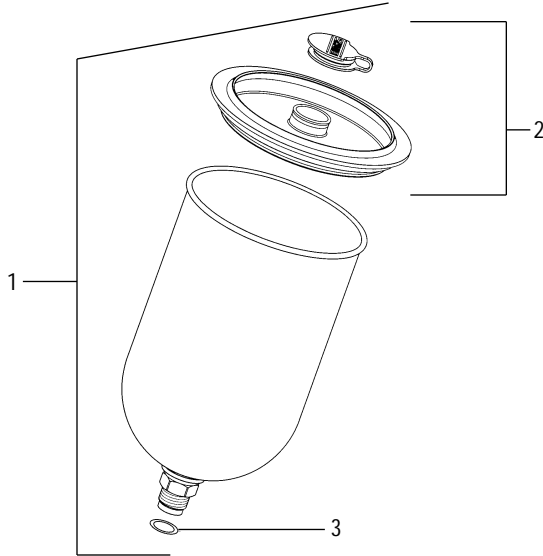


Models 54-4250, 54-4450, 54-4458 Gravity Feed Cups

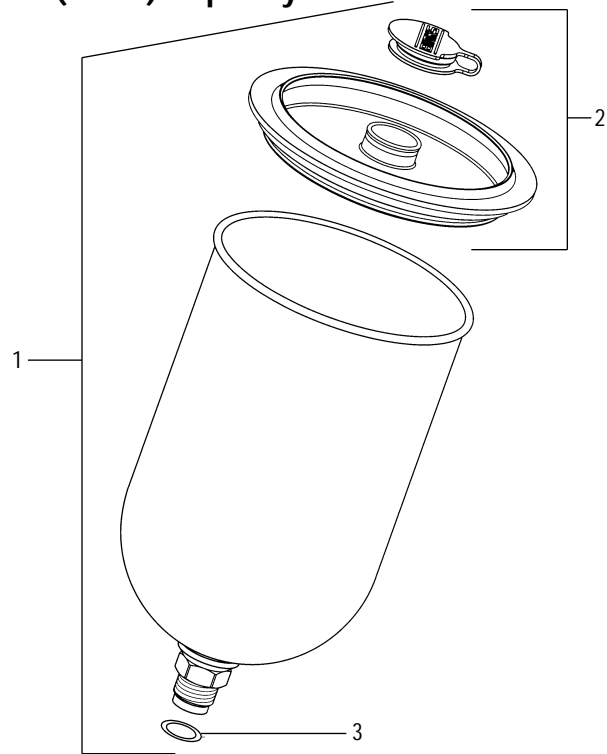
Model 54-4250
 .75 Liter (22 oz.) Capacity



Click a Part # to price / add to your DEPOT Cart.

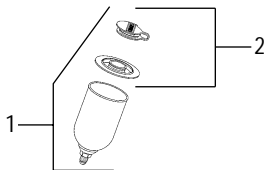
No.	Order No.	Description	Parts Required
1	54-4250	Gravity Feed Cup Assembly (.75 Liter, 22 oz.)	1
2	54-4251	.75 Liter Cup Lid Assembly (Kit of 3)	1
3	54-4375-5	Gasket (Kit of 5)	1

Model 54-4450
 1 liter (34 oz.) Capacity



No.	Order No.	Description	Parts Required
1	54-4450	Gravity Feed Cup Assembly (1 Liter, 34 oz.)	1
2	54-4538	1 Liter Cup Lid Assembly (Kit of 3)	1
3	54-4375-5	Gasket (Kit of 5)	1

Model 54-4458
 4 oz. capacity SLG



No.	Order No.	Description	Parts Required
1	54-4458	Gravity Feed Cup Assembly (4 oz.)	1
2	54-4539	4 Ounce Cup Lid Assembly (Kit of 3)	1



ITW Automotive Refinishing
 An Illinois Tool Works Company
 1724 Indian Wood Circle
 Maumee, OH 43537-4048
 Telephone 419-891-8100
 Fax 419-891-8110
www.binks.com

