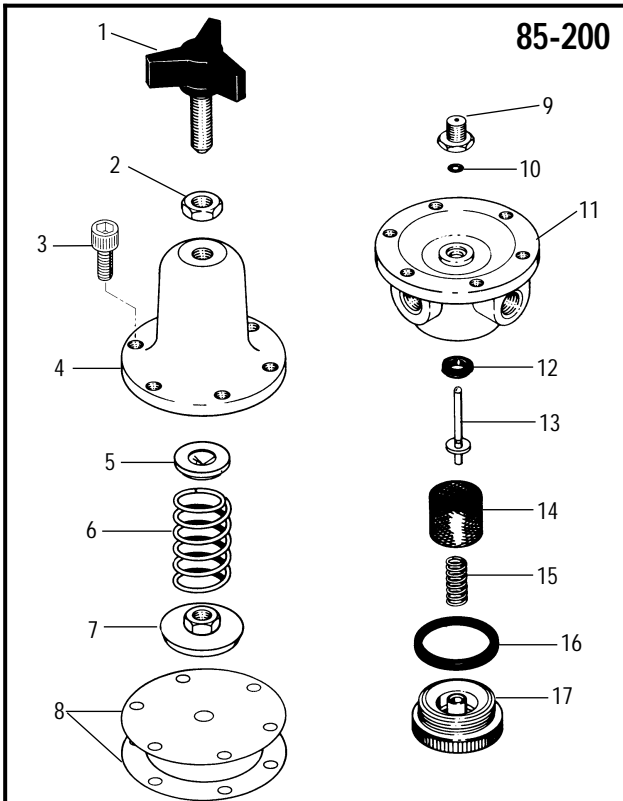


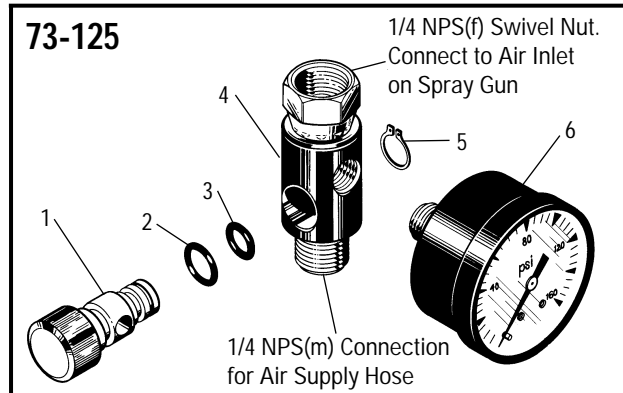
Air Regulators and Adjusting Valves

Click a Part # to price / add to your DEPOT Cart.

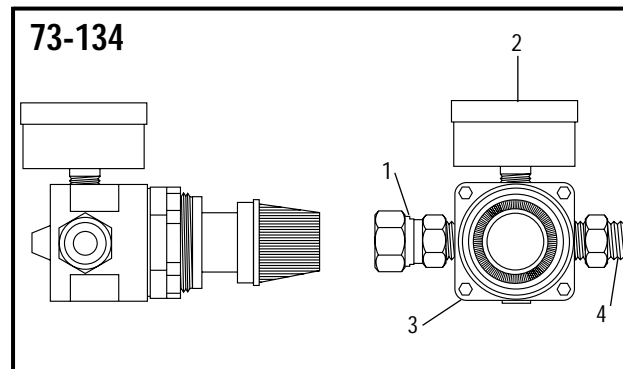


No.	Order No.	Description	Parts Required
1	—	Knob	1
2	Purchase Locally	Nut, 3/8-16 Jam	1
3	Purchase Locally	Soc. Hd. Screw, 1/4-20 x 1/2 in. long	6
4	Purchase Locally	Bonnet	1
5	—	Button	1
6	—	Spring	1
7	—	Disc	1
8	c	Diaphragm with Gasket	1
9	—	Valve	1
10	c	*O-Ring*, 1/8 I.D. x 1/4 O.D.	1
11	—	Body (85-200)	1
12	c	Seat	1
13	—	Valve	1
14	c	Screen	1
15	c	Spring	1
16	c	Seal, 1-1/4 I.D. x 1-7/16 O.D.	1
17	—	Cap	1

c Indicates Parts are available as part of Repair Kit 85-198 (1 ea. of #8, 10, 12, 14, 15, 16)



No.	Order No.	Description	Parts Required
1	—	Stem	1
2	—	O-Ring 5/16" x 7/16"	1
3	—	O-Ring 1/4" x 3/8"	1
4	—	Body Assembly	1
5	—	Retainer	1
6	GA-338	Gauge, 160 PSI	1



No.	Order No.	Description	Qty.
1	—	SW Adapter 1/4"	1
2	—	Gauge (60 lbs.)	1
3	—	Regulator	1
4	57-13	D.M. Nipple	1



ITW Automotive Refinishing
An Illinois Tool Works Company
1724 Indian Wood Circle
Maumee, OH 43537-4048
Telephone 419-891-8100
Fax 419-891-8110
www.binks.com

